

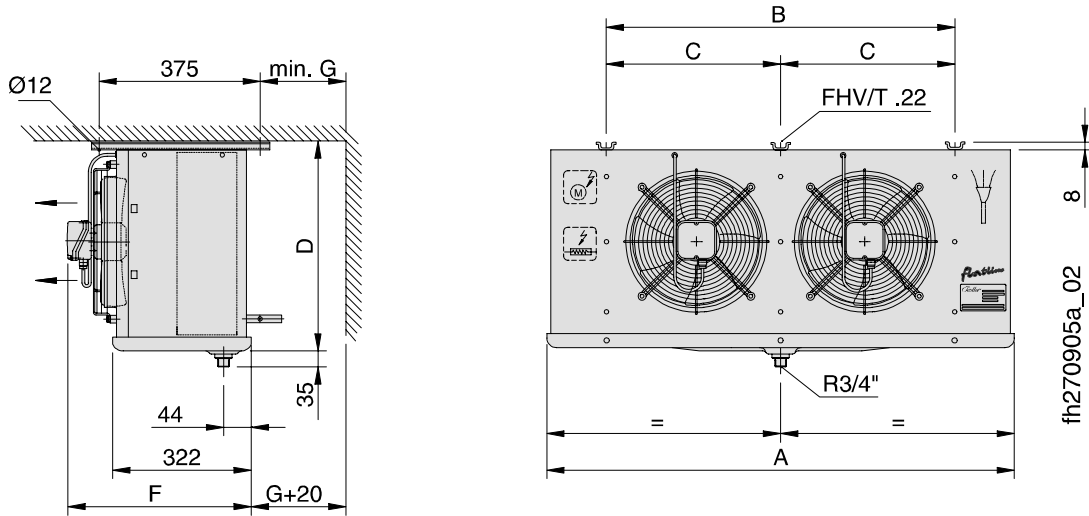
Forced convection unit air cooler - flatline
FHVT 622

Place of cooling:

Walter Roller GmbH & Co.
 Lindenstraße 27-31
 D - 70839 Gerlingen
 Phone: +49 (0)7156 2001 - 0
 Fax.: +49 (0)7156 2001 26



Version 5.5.2
 18.11.2004



Dimensions, Tube volumes, Weights

Dimensions								Tube vol. [dm³]	Weight [kg]	Connections	
A [mm]	B [mm]	C [mm]	D [mm]	E [mm]	F [mm]	G [mm]	H [mm]			Inlet Ø [mm]	Outlet Ø [mm]
1878	1596	798	600		460	300		10.50	75	15.0 #	28.0

#: Multiple injection with Schrader valve at the outlet

Electrical loads

No.	Blade ø [mm]	Power supply [V, Hz]	Input capacity [W]	Current [A]	No. of re- volutions [min ⁻¹]	Electric defrost heating			El. aircondition	
						Coil [W]	Drip [W]	Total [W]	[W]	Total [W]
2	450 S	3~400 V 50/60 Hz D	320/500	0,74/0,88	1390/1630	4x1310	1x1310	6550		

Capacity data

	Refrigerant	Capacity P _e	Evaporation t _e	Air inlet t _{A1}	DT1	Surface	Air capacity	Air throw	Sound power	Fin spacing
Result	R404A	8.45	-6.0	0.0	6.0	36.8	8800	11	81	6.0

Prices and accessories

FHVT 622	

Price per unit:

inkl. mat. surcharges, without VAT

